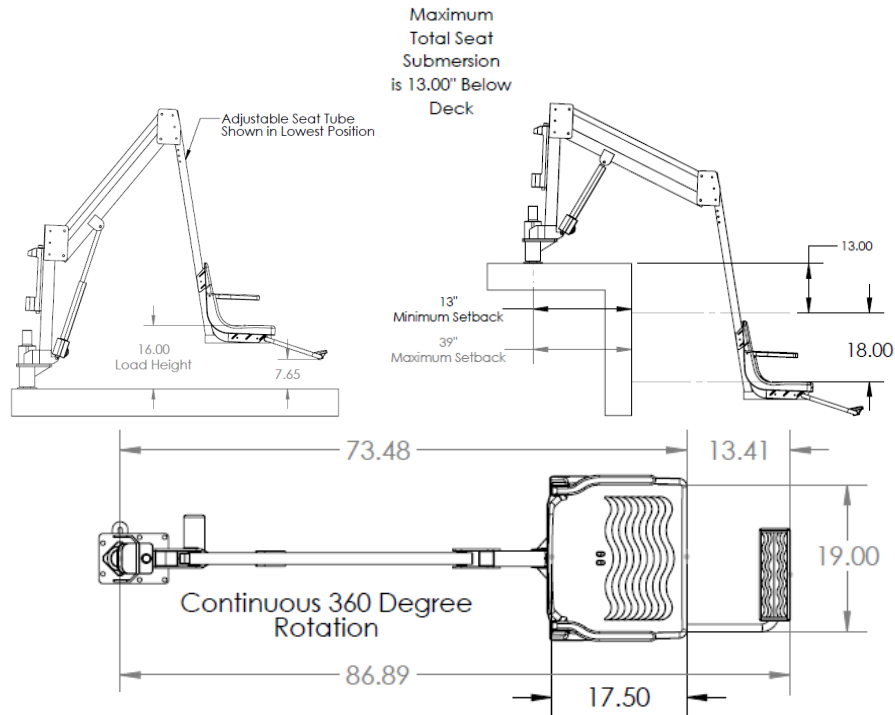


# Rotational Series R-375™

## Accessories

Part Numbers	Descriptions
T5068-2	R Series Battery TiMotion
T5068-3	R Series Battery Charging Station(no Ac plug)
T5068-17	R Series Charger w/ AC Adapter TiMotion
RGLPCB	R-375, R-450R, R-350MTR, HR-350 Deluxe Blue Protective Cover
RGLPCG	R-375, R-450R, R-350MTR, HR-350 Deluxe Grey Protective Cover



T5068-3



T5068-17



T5068-2



ÜÖŠÖÜÖG



ÜÖŠÖÜÖG

- ADA Compliant
- 375 Weight Capacity
- Powder Coat Finish
- Stainless Steel Construction
- User Friendly Controls
- Clears 14" tall Obstacles
- 360 Degree Rotation
- UV Resistant
- Arm Rest
- Foot Rest
- Safety Belt
- UPS Shippable
- Lifetime Structural Warranty
- 5 years Pro-rated Warranty on Actuator & Controls

Part Numbers	Descriptions
R375NA	R-375 w/o Anchor
R375RA	R-375 w/round anchor
RGLCRA	Anchor for R-375

