

# Legend Series L-325™

## Accessories

Part Numbers	Descriptions
T5068-2	Battery TiMotion for S, L, P, C, & H Series
T5068-3	Battery Charging Station(no Ac plug) for S, L, P, C, & H Series
T5068-17	Charger w/ AC Adapter TiMotion for S, L, P, C, & H Series
GLCPCXB	L Series, SXR, H-300, and H350 Deluxe Blue Protective Cover
GLCPCXG	L Series, SXR, H-300, and H350 Deluxe Grey Protective Cover



T5068-3



T5068-17



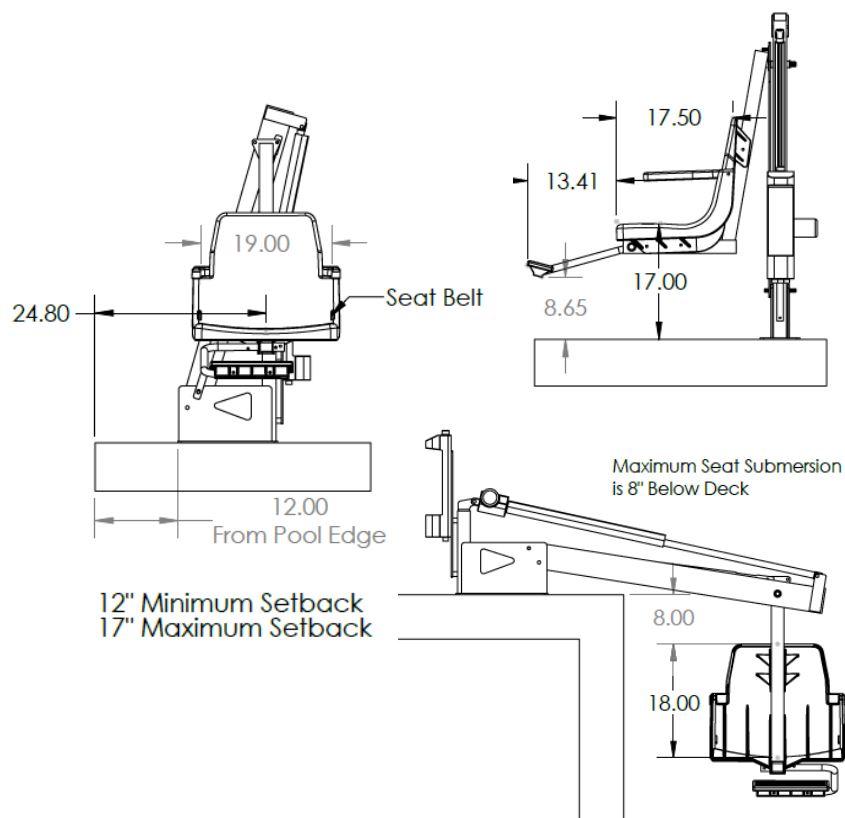
T5068-2



GLCPCXB



GLCPCXG



- ADA Compliant
- 325 lbs Weight Capacity
- Powder Coat Finish
- Stainless Steel Construction
- User Friendly Controls
- Right Seat Position
- Rechargeable Battery w/ Charger
- UV Resistant
- Arm Rest
- Foot Rest
- Safety Belt
- UPS Shippable
- 5 Year Structural Warranty
- 5 years Pro-rated Warranty on Actuator & Controls
- Field Reversible

Part Numbers	Descriptions
L325QPA	L-325 w/new construction 4 point anchor
L325DIA	L-325 w/drop in Anchor
L325NA	L-325 w/o Anchor
GLCQPA	4 point Anchor for L- Series
GLCQDIA	Drop in Anchor for L- Series

