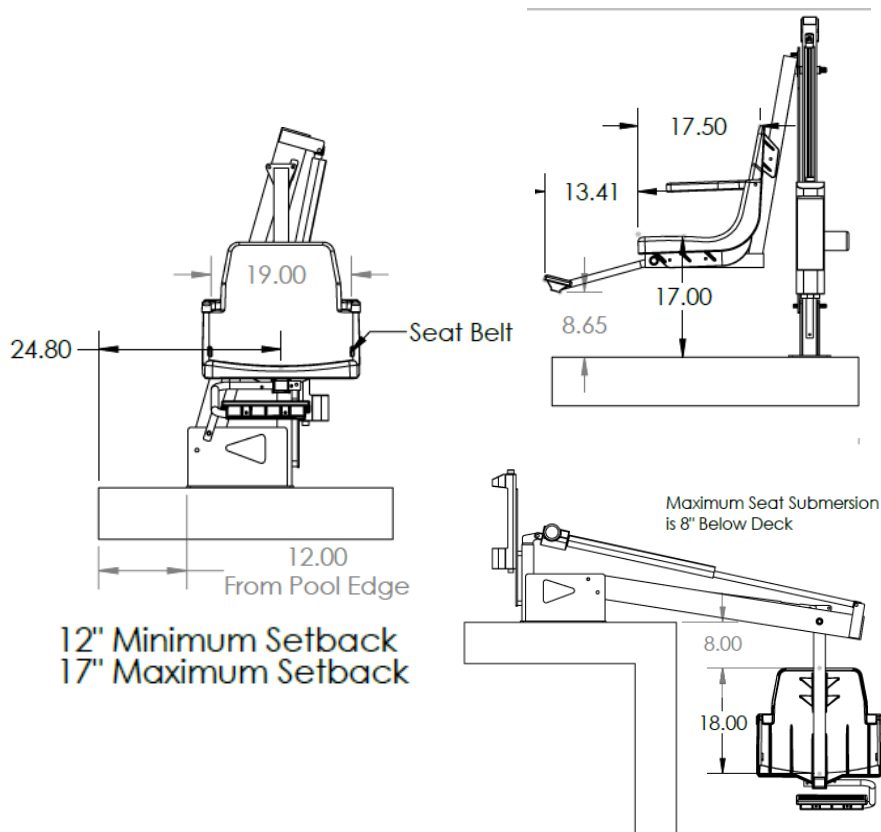


Home Series H-300™

Accessories

Part Numbers	Descriptions
T5068-2	Battery TiMotion for S, L, P, C, & H Series
T5068-3	Battery Charging Station (no AC plug) for S, L, P, C, & H Series
T5068-17	Charger w/ AC Adapter TiMotion for S, L, P, C, & H Series
GLCPCXB	L Series, SXR, H-300, and H350 Deluxe Blue Protective Cover
GLCPCXT	L Series, SXR, H-300, and H350 Deluxe Tan Protective Cover
UNICOVERB	Universal Deluxe Blue Protective Cover
UNICOVERT	Universal Deluxe Tan Protective Cover



T5068-3



T5068-17



T5068-2



GLCPCXB



GLCPCXT

- ADA Compliant
- 300 Weight Capacity
- Powder Coat Finish
- Stainless Steel Construction
- User Friendly Controls
- Right Seat Position
- Rechargeable Battery w/ Charger
- UV Resistant
- Arm Rest
- Safety Belt
- UPS Shippable
- 2 Year Structural Warranty
- 1 Year Warranty on Actuator & Controls

Part Numbers	Descriptions
H300NA	C-450 Portable w/tri pt anchor and portable kit
H300DIA	C-450 Portable w/ retro fit anchor and portable kit
H300QPA	C-450 Portable w/tri pt drop in anchor and portable kit
GLCQPA	4 point Anchor Price for H- Series
GLCQDIA	Drop in Anchor Price for H- Series
GLCWDA	Wood Deck Anchor plate
GLCFRK	H/L Series Foot Rest

