



RT15 Slide Specifications

Product Numbers and Shipping Weights:

Model Number	Description	Shipping Weights
GPPSRT15-GREY-R	RT15 – Grey Granite Right	475 lbs (215 kg)
GPPSRT15-SAND-R	RT15 – Sandstone Granite Right	475 lbs (215 kg)
GPPSRT15-GREY-L	RT15 – Grey Granite Left	475 lbs (215 kg)
GPPSRT15-SAND-L	RT15 – Sandstone Granite Left	475 lbs (215 kg)
GPPSRT15-GREY-R-LED	RT15 – Grey Granite Right w/ Flume Light Pkg	485 lbs (220 kg)
GPPSRT15-SAND-R-LED	RT15 – Sandstone Granite Right w/ Flume Light Pkg	485 lbs (220 kg)
GPPSRT15-GREY-L-LED	RT15 – Grey Granite Left w/ Flume Light Pkg	485 lbs (220 kg)
GPPSRT15-SAND-L-LED	RT15 – Sandstone Granite Left w/ Flume Light Pkg	485 lbs (220 kg)

Broad Description:

The RT15 Slide is a sturdy, durable roto-molded slide with finished exterior. The RT15 is available in Sandstone or Grey Granite finishes and has the option of an LED flume lighting package.

Utilization:

The RT15 is intended for in-ground residential swimming pools only. Our multi-point anchoring system allows the RT15 to accommodate most geographical regions. The slide is rated for a maximum of 300 lb. (136 kg) for its riders.

Specifications:

- § The slide runway has a twenty-three (23) inch wide seating area made of a thick, durable roto-molded plastic.
- § Water is delivered with a 1" PVC hose to allow maximum water coverage on the flume at 25 gpm.
- § The RT15 is anchored to the pool deck with ½" diameter stainless anchor studs with attaching hardware.

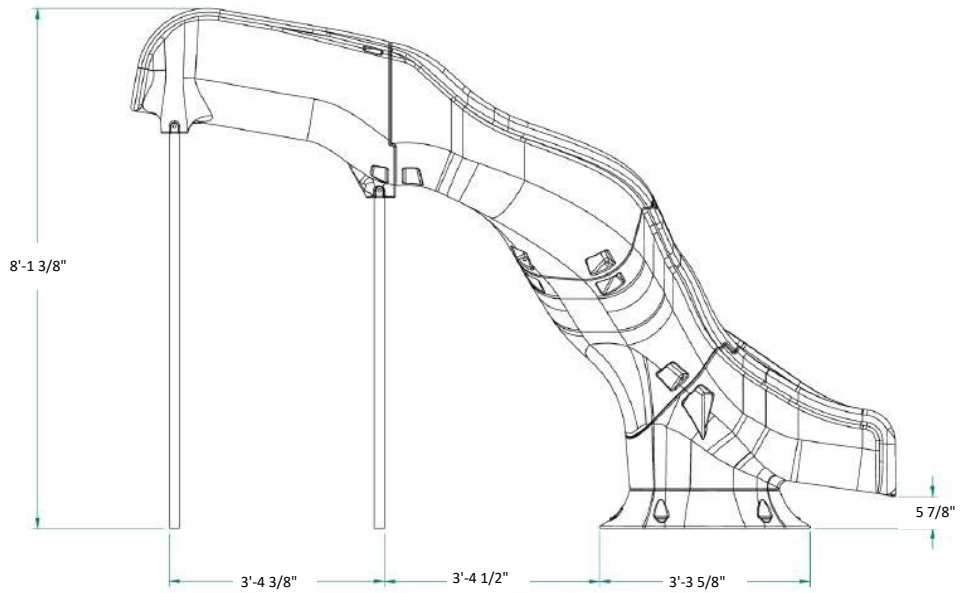
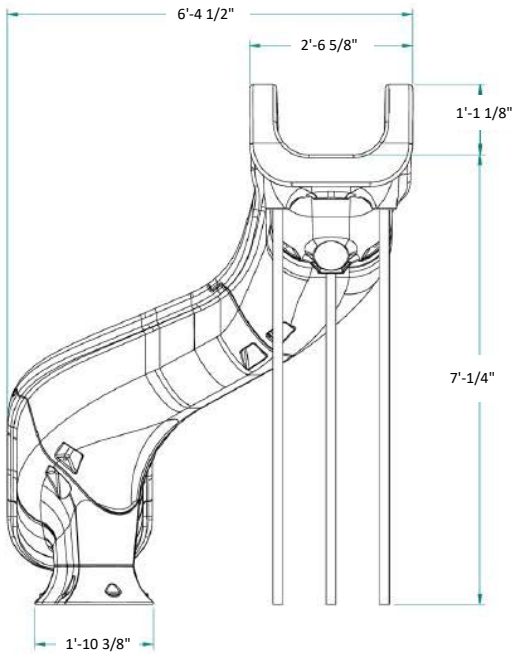
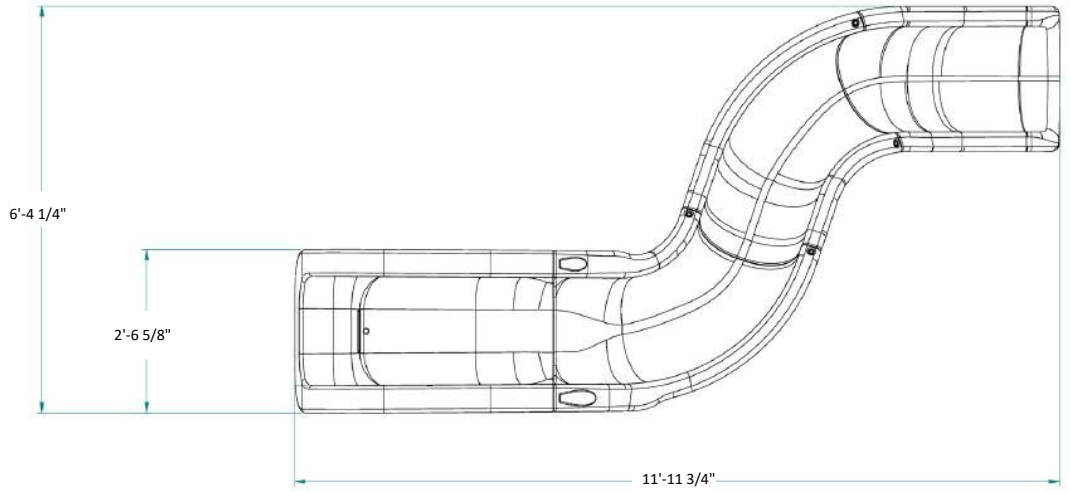
Global Pool Products
1330 Pigeon Rd
Bad Axe, MI 48413
P: 989-269-5900 TF: 866-712-0606
Fax: 989-269-5902

The information contained in this document is proprietary and confidential to Global Pool Products and not to be reproduced without written consent from Global Pool Products

www.global-poolproducts.com

RT15 Slide Specifications

Height: 8' 2"
 Flume Length: 15' 7"
 Flume Width: 23"
 Required Deck Space:
 12' 0" x 6' 5"

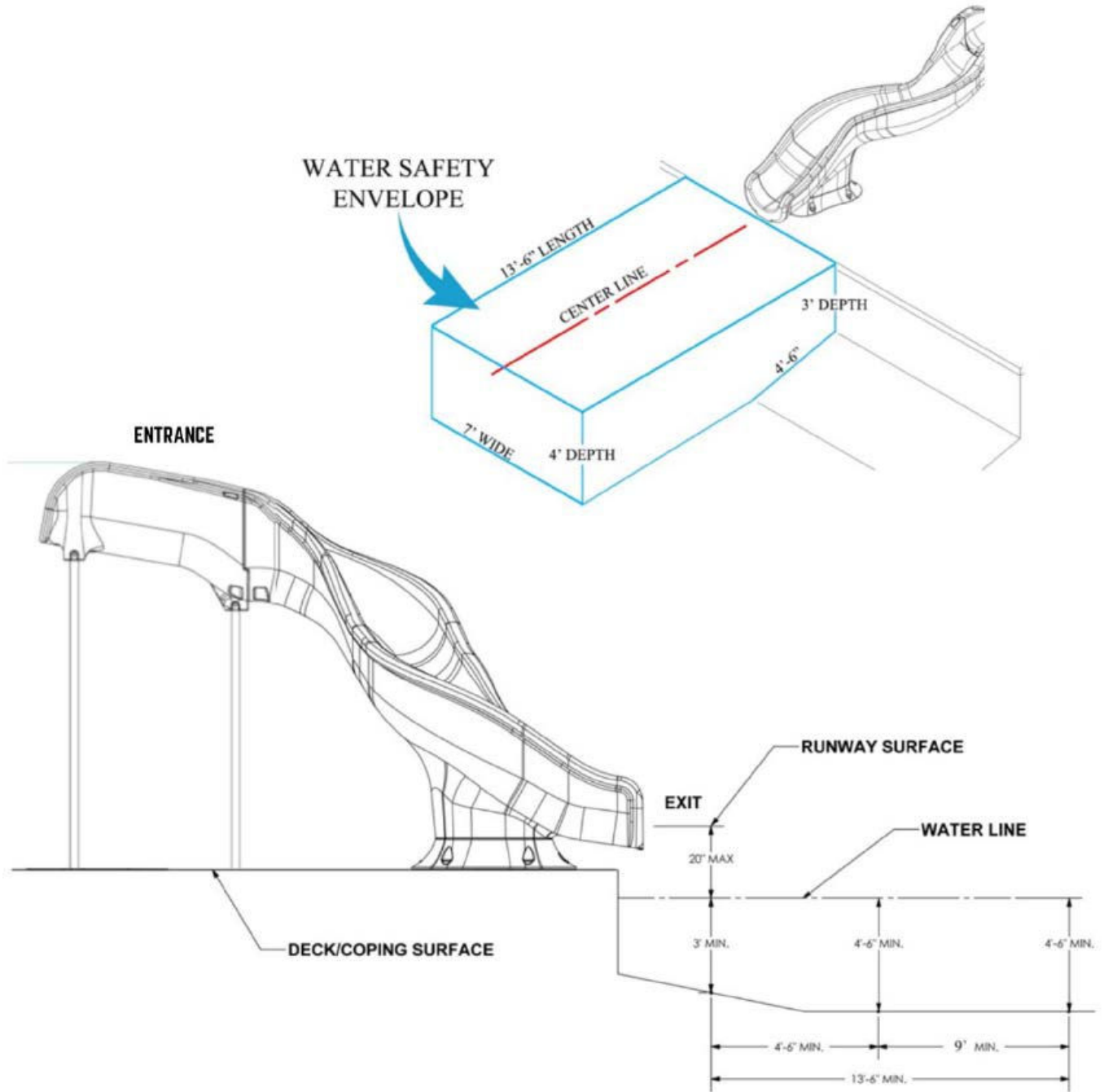


Global Pool Products
 1330 Pigeon Rd
 Bad Axe, MI 48413
 P: 989-269-5900 TF: 866-712-0606
 Fax: 989-269-5902

The information contained in this document is proprietary and confidential to Global Pool Products and not to be reproduced without written consent from Global Pool Products

www.global-poolproducts.com

RT15 Water Safety Envelope



Global Pool Products
 1330 Pigeon Rd
 Bad Axe, MI 48413
 P: 989-269-5900 TF: 866-712-0606
 Fax: 989-269-5902

The information contained in this document is proprietary and confidential to Global Pool Products and not to be reproduced without written consent from Global Pool Products

www.global-poolproducts.com