



U Frame Base Assembly & Installation Instructions



! WARNING !

THE POOL WATER ENVELOPE MUST MEET OR EXCEED THE 2011 STANDARDS FROM APSP/ANSI/ICC-5 FOR THE GX6 AND GX8 BOARDS USED WITH THE 3 BOLT BASES. THESE BOARDS ARE TO BE USED WITH THE COMPATIBLE GLOBAL POOL PRODUCT FIBERGLASS STANDS. GLOBAL POOL PRODUCTS ARE NOT RESPONSIBLE FOR IMPROPER USE, ASSEMBLY OR INSTALLATION. IF PRODUCTS ARE USED WITH A NON-COMPATIBLE STAND, SIZED POOL OR IMPROPER INSTALLATION MAY RESULT IN SERIOUS INJURY OR POSSIBLY DEATH.

Global Pool Products
1330 Pigeon Rd.
Bad Axe, MI 48413

Phone: (866) 712-0606 | Fax: (989) 269-5902
info@globalpoolprod.com
www.global-poolproducts.com



GLOBAL
POOL PRODUCTS

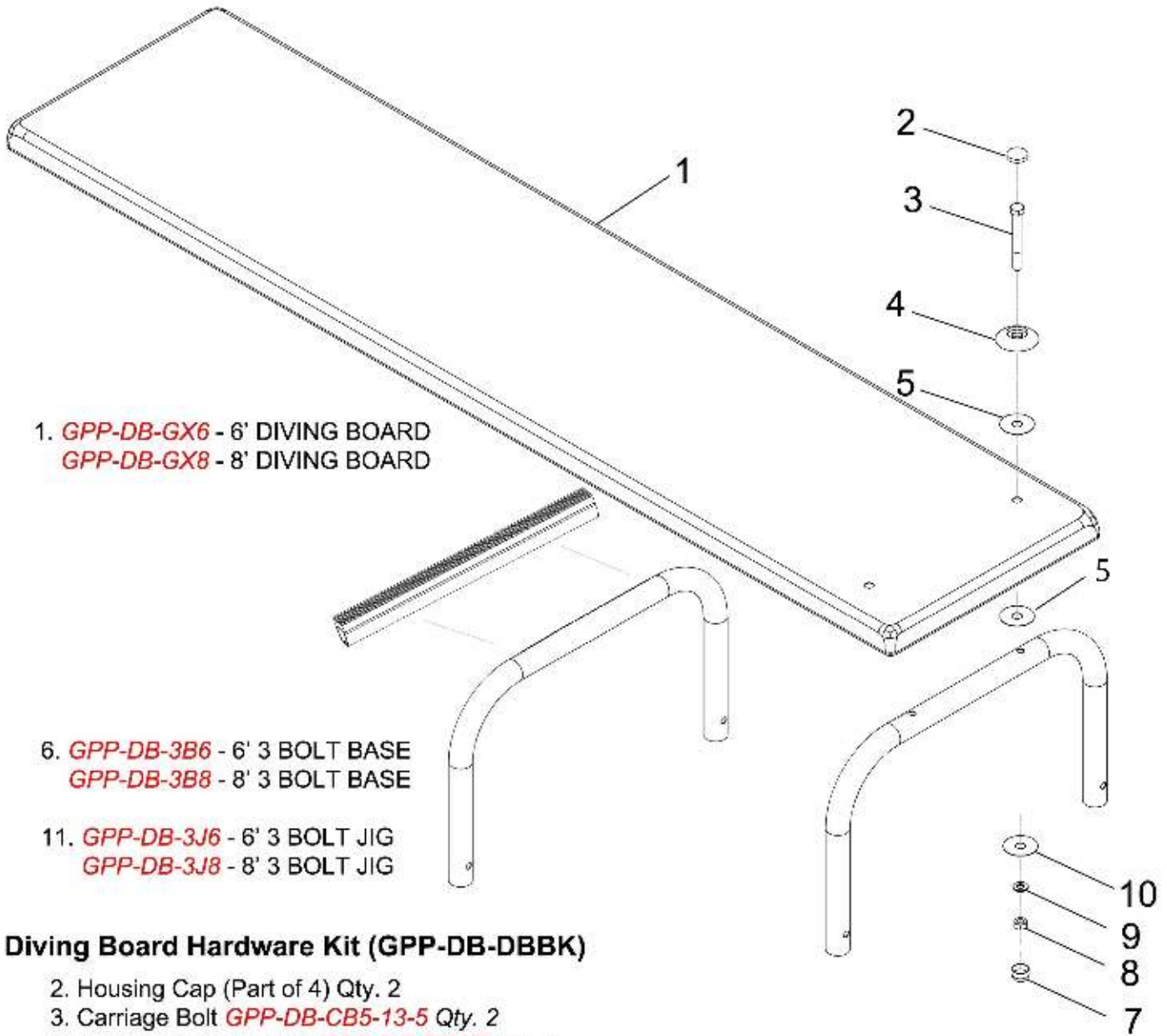
TABLE OF CONTENTS

U Frame Assembly	2
Installation Instructions	3
Article 5 - Pool Dimensions & Tolerances Cited From ANSI/APSP/ICC-5 2011 The American National Standards For Residential Inground Swimming Pools	4-7

Global Pool Products
1330 Pigeon Rd.
Bad Axe, MI 48413

Phone: (866) 712-0606 | Fax: (989) 269-5902
info@globalpoolprod.com
www.global-poolproducts.com

U Frame Base to GX6/GX8 Assembly



1. *GPP-DB-GX6* - 6' DIVING BOARD
GPP-DB-GX8 - 8' DIVING BOARD

6. *GPP-DB-3B6* - 6' 3 BOLT BASE
GPP-DB-3B8 - 8' 3 BOLT BASE

11. *GPP-DB-3J6* - 6' 3 BOLT JIG
GPP-DB-3J8 - 8' 3 BOLT JIG

Diving Board Hardware Kit (GPP-DB-DBBK)

2. Housing Cap (Part of 4) Qty. 2
 3. Carriage Bolt *GPP-DB-CB5-13-5* Qty. 2
 4. Bolt Housing (Incls 2) *GPP-DB-CCAP* Qty. 2
 5. Rubber Washer *GPP-DB-RW5-2* Qty. 2
 7. Vinyl Cap *GPPCP5-1* Qty. 2
 8. Hex Nut *GPP-DB-BN500-13* Qty. 2
 9. Split Washer *GPP-DB-LW500* Qty. 2
 10. Washer *GPP-DB-FW500-2* Qty. 2

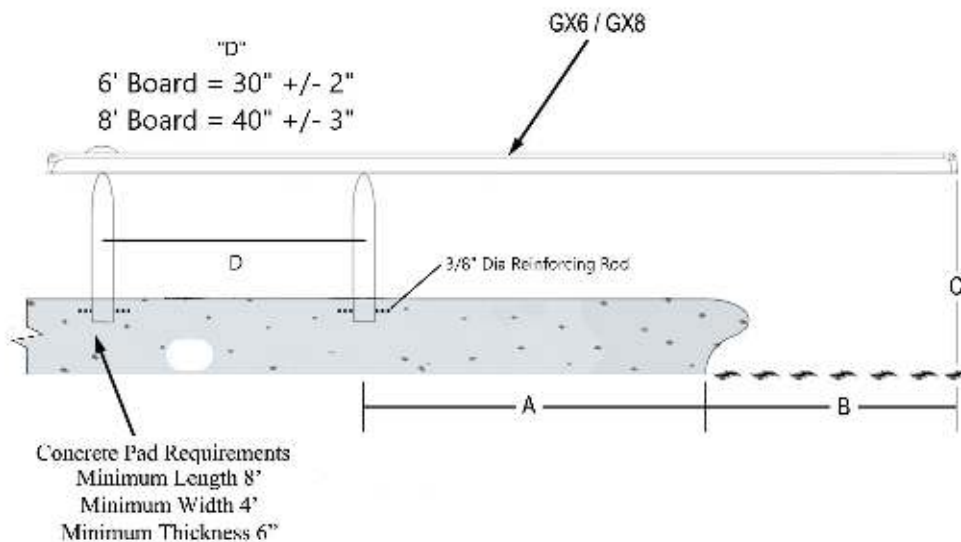


GLOBAL

POOL PRODUCTS

U-Frame Base Installation Instructions

(Not recommended for Salt water pools)



Length of Diving Board	Edge of Water to Front Frame Examples "A"	Pool Type Per ANSI/APSP/ICC-5 2011	Minimum Overhang 3" (76mm) *B* Recommended	Maximum Height Above Pool Water *C*
6'	27"	I	18"	20"
6'	27"	II	18"	20"
8'	41"	II	18"	20"
6'	21"	III	24"	26"
8'	35"	III	24"	26"
6'	15"	IV	30"	30"
8'	29"	IV	30"	30"
6'	9"	V	36"	40"
8'	23"	V	36"	40"

IMPORTANT: Minimum water depth needs to be maintained at the board's end at "Point A" in ANSI/APSP/ICC-5 2011 (Figure 3 - Table 1 Page B) for the setting distance of the front jig bolt to water's edge (A) to be valid. The distance will need to be adjusted accordingly if minimum depth of water is not able to be maintained.

MINIMUM OVERHANG IS VALID IN ASSOCIATION WITH THE MINIMUM DEPTH POINT (ANSI/APSP/ICC-5 2011 FIGURE 3 - TABLE 1 ON PAGE B) FOR POOL TYPE

*If pool has coping the front of the jig bolt is not to be set closer than 3" from the coping's back side.

User needs to be in compliance with Article 5 - Pool Dimensions & Tolerances from the ANSI/APSP/ICC-5 2011 American Standards for Residential Inground Swimming Pools. A complete copy of ANSI/APSP/ICC-5 2011 American Standards for Residential Inground Swimming Pools can be obtained at: www.APSP.org

⚠ WARNING ⚠

THE POOL WATER ENVELOPE MUST MEET OR EXCEED THE 2011 STANDARDS FROM APSP/ANSI/ICC-5 FOR THE GX6 AND GX8 BOARDS USED WITH THE 3 BOLT BASES. THESE BOARDS ARE TO BE USED WITH THE COMPATIBLE GLOBAL POOL PRODUCT FIBERGLASS STANDS. GLOBAL POOL PRODUCTS ARE NOT RESPONSIBLE FOR IMPROPER USE, ASSEMBLY OR INSTALLATION. IF PRODUCTS ARE USED WITH A NON-COMPATIBLE STAND, SIZED POOL OR IMPROPER INSTALLATION MAY RESULT IN SERIOUS INJURY OR POSSIBLY DEATH.



Global Pool Products
 1330 Pigeon Rd.
 Bad Axe, MI 48413

Phone: (866) 712-0606 | Fax: (989) 269-5902
info@globalpoolprod.com
www.global-poolproducts.com

Article 5 - Pool Dimensions & Tolerances

Cited From the ANSI/APSP/ICC-5 2011

American Standard for Residential Inground Swimming Pools

5 Pool Dimensions and Tolerances

5.1 General requirements. Design dimensions shall comply with the specifications in this standard. The pool shall be constructed to these design dimensions within the tolerances listed in 5.1.1.

5.1.1 Construction tolerances. There shall be construction tolerances allowed on dimensional designs. The length, width, and depth shall be limited to a tolerance of plus or minus 3 in. (± 76 mm). All other dimensions shall be limited to a tolerance of ± 2 in. (± 51 mm), unless otherwise specified.

NOTE: Negative construction tolerances shall not be applied to the shallow area dimensions of the Minimum Diving Envelope given in Table 1, p. 4.

Figure 1 Maximum allowable wall slope

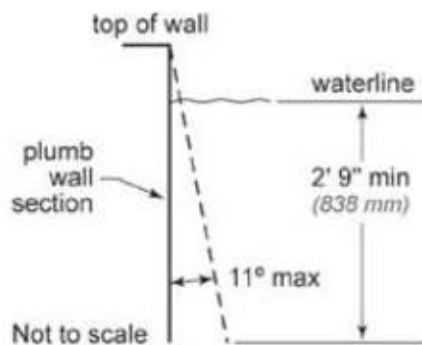
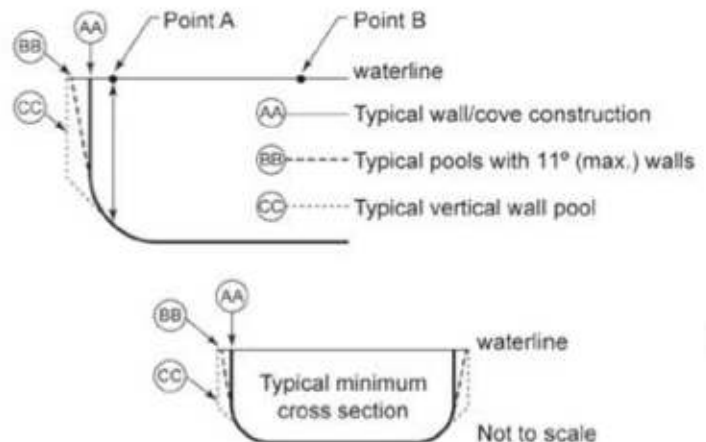


Figure 2 Typical pool design configurations



5.2 Perimeter shape. No limits are specified for shapes of pools. Consideration shall be given to circulation and safety to the user.

5.3 Walls—Requirements

5.3.1 Walls in the shallow area and deep area of the pool shall not slope greater than 11° (5:1 slope ratio) to a transition point of the floor (see Figure 1). The transition to the bottom of the pool between points D and E (see Figure 3, p. 5) shall not be less than 2 ft 3 in. (686 mm) below the waterline.

5.3.2 As shown in Figure 2, at the depths of (A) and (B), the walls are permitted to continue to join the floor.

Figure 3 Minimum diving water envelope

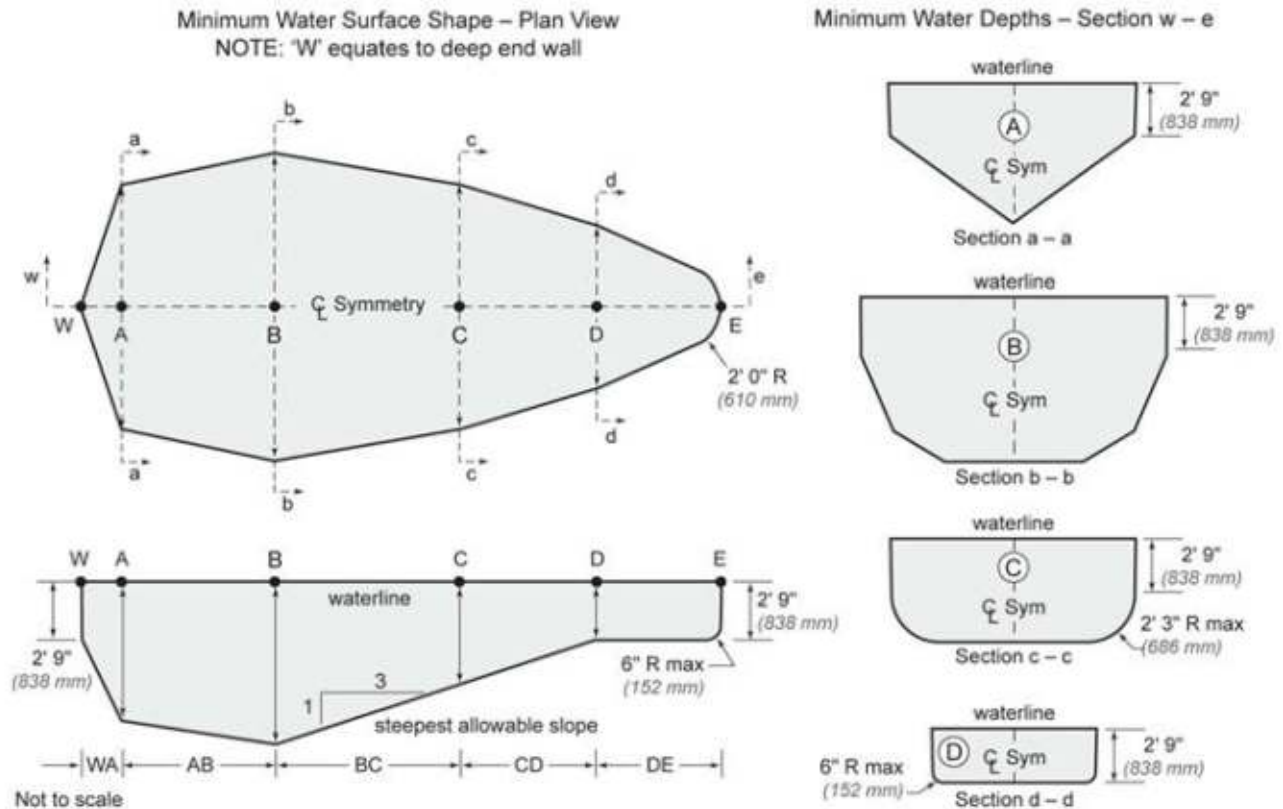


Table 1. Minimum diving water envelope for swimming pools designated types I-V

Pool Types	Minimum Depths at Point				Minimum Widths at Point				Minimum Lengths between Points					
	A	B	C	D	A	B	C	D	WA	AB	BC	CD	DE	WE
0	Manufactured diving equipment is prohibited													
1	6' 0" (1.82 m)	7' 6" (2.29 m)	5' 0" (1.52 m)	2' 9" (838 mm)	10' 0" (3.05 m)	12' 0" (3.66 m)	10' 0" (3.05 m)	8' 0" (2.44 m)	1' 6" (457 mm)	7' 0" (2.13 m)	7' 6" (2.29 m)	Varies	6' 0" (1.82 m)	28' 9" (8.76 m)
2	6' 0" (1.82 m)	7' 6" (2.29 m)	5' 0" (1.52 m)	2' 9" (838 mm)	12' 0" (3.66 m)	15' 0" (4.57 m)	12' 0" (3.66 m)	8' 0" (2.44 m)	1' 6" (457 mm)	7' 0" (2.13 m)	7' 6" (2.29 m)	Varies	6' 0" (1.82 m)	28' 9" (8.76 m)
3	6' 10" (2.08 m)	8' 0" (2.44 m)	5' 0" (1.52 m)	2' 9" (838 mm)	12' 0" (3.66 m)	15' 0" (4.57 m)	12' 0" (3.66 m)	8' 0" (2.44 m)	2' 0" (610 mm)	7' 6" (2.29 m)	9' 0" (2.74 m)	Varies	6' 0" (1.82 m)	31' 3" (9.53 m)
4	7' 8" (2.34 m)	8' 6" (2.59 m)	5' 0" (1.52 m)	2' 9" (838 mm)	15' 0" (4.57 m)	18' 0" (5.49 m)	15' 0" (4.57 m)	9' 0" (2.74 m)	2' 6" (762 mm)	8' 0" (2.44 m)	10' 6" (3.20 m)	Varies	6' 0" (1.82 m)	33' 9" (10.3 m)
5	8' 6" (2.59 m)	9' 0" (2.74 m)	5' 0" (1.52 m)	2' 9" (838 mm)	15' 0" (4.57 m)	18' 0" (5.49 m)	15' 0" (4.57 m)	9' 0" (2.74 m)	3' 0" (914 mm)	9' 0" (2.74 m)	12' 0" (3.66 m)	Varies	6' 0" (1.82 m)	36' 9" (11.2 m)

NOTES

1. Minimum length between points CD may vary based upon water depth at point D and the slope between points C and D.
2. Drawings are not to scale.
3. Negative construction tolerances (see para. 5.1.1) shall not be applied to any of the dimensions shown in the Minimum Water Envelopes given in Table 1.
4. Pool types designate minimum water envelope sizes as specified by the diving board manufacturers.

Figure 4 Offset ledges

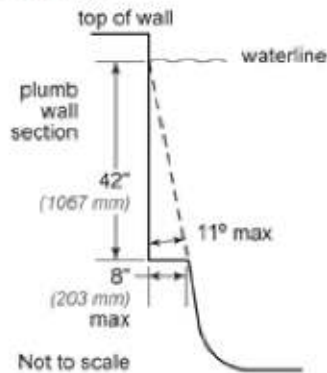
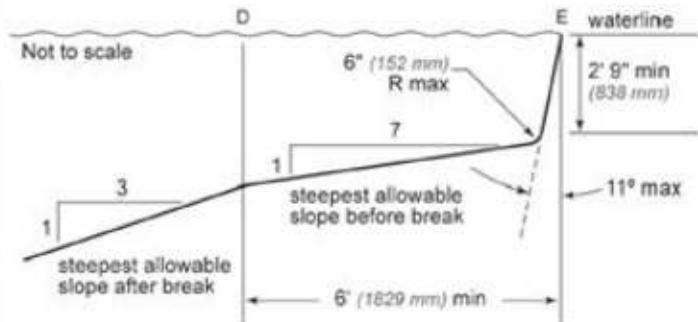


Figure 5 Shallow end depths



5.4 Offset Ledges

5.4.1 Offset ledges shall be a maximum of 8 in. (203 mm) wide.

5.4.1.1 Offset ledges located less than 42 in. (1.07 m) below waterline shall be proportionately less than 8 in. (203 mm) wide and fall within 11° from plumb, measured from the top of the waterline (see Figure 4).

5.5 Floor slopes. Floor slopes shall be reasonably uniform and comply with paras. 5.5.1 through 5.5.3.

5.5.1 The slope of the floor from the shallow end wall towards the deep area shall not exceed a 1:7 incline to the point of the first slope change, if any (D–E) as shown in Figure 5.

5.5.2 Changes in slope between shallow and deep areas shall be at a minimum water depth of 2 ft 9 in. (838 mm) and be at least 6 ft (1.83 m) from the shallow end, except as specified in para. 6.3.

5.5.3 The slope of the floor shall not exceed a 1:3 incline under the lengths (B–D) of the Diving Envelope (see Figure 5).

5.6 Shallow end water depths. Water depth in the shallow area shall be a minimum of 2 ft 9 in. (838 mm), except for those locations specified in para. 6.3 “Shallow End Detail for Beach and Sloping Entries.”

5.7 Manufactured diving equipment for in-ground swimming pools (diving board/stand combination, manufactured platform, or field fabricated)

5.7.1 When manufactured or field fabricated diving equipment is installed, it shall conform to the specifications set forth in paras. 5.7–5.9. It shall be located in the deep area of the pool to provide the minimum dimensions as shown in para. 5.8, and shall be installed in accordance with manufacturer’s instructions.

5.7.1.1 Manufactured or field fabricated diving equipment shall be located directly above Point A. Diving equipment shall not be installed on Type O pools (see Table 1).

5.7.1.2 Maximum elevation of a diving board above the water shall be in accordance with manufacturer’s installation instructions. Raised decking may be installed around the diving board up to level with the top of the board.

5.7.2 Manufactured diving equipment installation and use instructions shall be provided by the diving equipment manufacturer and shall specify the minimum water dimensions required for each diving board and diving stand combination. They shall refer to the diving envelope type of their choice by dimensionally relating their products to Point A on the diving envelopes as shown in Figure 3, Table 1, and paras. 5.8.1–5.8.3

5.7.2.2 Diving equipment shall be permanently labeled and affixed to the diving equipment or jump boards and include, but not be limited to the following:

- manufacturer’s diving equipment name and address
- date of manufacture
- minimum diving envelope
- maximum weight limitations.

5.7.2.3 Diving equipment shall have slip-resisting tread surfaces.

5.8 Figure 3 diagrams show dimension points referred to in Table 1.

5.8.1 Point A: Point A is the point from which all other forward dimensions of width, length, and depth are then established for the Minimum Diving Water Envelope. If the tip of the diving board or diving platform overhang is located at a distance of WA or greater from the deep end wall and the water depth at that location is equal to or greater than the water depth requirement at Point A (see Table 1), then the point on the water surface directly below the center of the tip of the diving board or diving platform shall be identified as Point A.

5.8.1.2 Location of Point A: The minimum Diving Water Envelope dimensions for pools with manufactured diving equipment shall be taken from Point A as shown in Figure 3. Point A shall be defined as the point on the water surface where the water depth is required at Point A and is provided at a distance of WA as shown in Table 1 from the deep end

wall. The center of the tip of the diving board, platforms, manufactured or field fabricated shall be located directly above Point A.

5.8.1.3 Point A as shown in Figure 3 and Table 1 shall be the reference point of origin for all dimensions defining the minimum diving envelope.

5.8.2 Type O pools (where diving is prohibited) shall not be limited in width, length, or water depth except as specifically provided for in this standard.

Pool Type I 42 in. (1.07 m)

Pool Type II 42 in. (1.07 m)

Pool Type III 50 in. (1.27 m)

Pool Type IV 60 in. (1.52 m)

Pool Type V 69 in. (1.75 m).

5.8.3 Location of equipment and pool features in the minimum diving envelope. If the pool is designed for use with diving equipment, all steps, pool stairs, ladders, underwater benches, offset ledges special features and other accessory items or any parts thereof, these features shall be located outside the Minimum Diving Envelope (see Figure 6).

5.9 Stationary diving platform(s) and diving rock(s).

Stationary diving platform(s) and diving rock(s) built on site field fabricated shall be allowed to be flush with the wall and located in the diving area of the pool. Point A shall be in front of the wall at the platform or diving rock centerline. Diving rocks or platforms are prohibited on Pool Type O.

5.10 Stationary diving platform(s) and diving rock(s)

5.10.1 Stationary diving platform(s) and diving rock(s) shall not be permitted on Pool Type O.

5.10.2 The maximum height of the stationary diving platform or diving rock above the waterline shall be as follows:

Pool Type I 42 in. (1.07 m)

Pool Type II 42 in. (1.07 m)

Pool Type III 50 in. (1.27 m)

Pool Type IV 60 in. (1.52 m)

Pool Type V 69 in. (1.75 m).

5.10.3 The diving equipment manufacturer shall specify minimum headroom above water.

5.11 Swimming pool slides

5.11.1 Slides, where installed, shall be installed in accordance with the manufacturer's specifications and comply with the U.S. Consumer Product Safety Commission (CPSC) Standard for Swimming Pool Slides as published in the Code of Federal Regulations, 16 CFR Ch. II, Part 1207.

5.11.2 Slides constructed on-site are not covered by this standard.

NOTE: For consumer safety information, warnings, and education programs, see Appendices F, G, and H.

Figure 6 Top view examples of accessory equipment and pool features prohibited in the minimum diving envelope

