



"Global Pool Products is committed to engineering and manufacturing world class products in the pool industry"

5-Seat Swim Up Bar

ASSEMBLY & INSTALLATION GUIDE



www.global-poolproducts.com



“Global Pool Products is committed to engineering and manufacturing world class products in the pool industry”

TABLE OF CONTENTS

Introduction	PAGE 3
Safety Guidelines	PAGE 4
Cleaning Instructions	PAGE 4
Assembly Instructions	PAGE 5
Parts List	PAGE 6
Installation Instructions (Retrofit Construction)	PAGE 7
Installation Instructions (New Construction)	PAGE 7
Warranty	PAGE 8

Global Pool Products
1330 Pigeon Rd
Bad Axe, MI 48413
P: 989-269-5900 TF: 866-712-0606
Fax: 989-269-5902

The information contained in this document is proprietary and confidential to Global Pool Products and not to be reproduced without written consent from Global Pool Products



“Global Pool Products is committed to engineering and manufacturing world class products in the pool industry”

INTRODUCTION

Global Pool Products is a Mid-Michigan based company. Global Pool Products prides itself in manufacturing top of the line quality aquatic pool equipment and products. Global Pool Product’s key staff has a century of combined industry experience and we take pride in each and every product that we build. Our products are made in the United States. Global Pool Products uses only the finest materials and processes to provide our customers with the highest quality products while still maintaining a price competitive edge.

The 5-Seat Swim Up Bar is designed for in ground residential swimming pools ONLY. The swim up bar must be properly assembled, installed, used and supervised for proper use and operation to reduce the risk of serious injury.

Please refer to your local building codes and national building codes to be implemented prior to installation. When utilizing an existing anchor please ensure you are following local and state entry/exit requirements.

Before starting assembly, remove all packaging and materials from the boxes. Double check to make sure that nothing is left inside the boxes. Identify the parts and hardware utilizing the parts listed in this document. Examine all parts thoroughly prior to installation to avoid anything that may have been damaged in transit. A damaged part should not be used in the installation. Proper assembly and installation of the swim up bar is imperative. Not following the directions provided will void Global Pool Products Warranty and may affect the safety.

⚠️ NEGLECTING TO FOLLOW THESE INSTRUCTIONS AND THE OWNER’S MANUAL MAY RESULT IN SERIOUS INJURY OR DEATH ⚠️



"Global Pool Products is committed to engineering and manufacturing world class products in the pool industry"

SAFETY GUIDELINES

The 5-Seat Swim Up Bar is designed for in ground residential swimming pools ONLY. The Swim Up Bar must be properly assembled, installed, used and supervised for proper use and operation to reduce the risk of serious injury.

- No jumping or diving from any part of the pool bar structure, table top or seats.
- No horseplay or shenanigans should be allowed while playing.
- DO NOT USE THE SWIM UP BAR if it is deteriorated or fractured. Block access and have it repaired.

CLEANING INSTRUCTIONS

Use nonabrasive soap and water as often as needed.

Keep clear of any abrasive or harsh cleaners, chemicals and/or disinfectants that could damage the Pool Bar.



"Global Pool Products is committed to engineering and manufacturing world class products in the pool industry"

5-Seat Swim Up Bar Assembly Instructions

Tools Needed:

5/8" Wrench Phillips Head Screwdriver or Power Drill

½" Wrench Crescent wrench

Included Hardware:

(9) – 3/8" Acorn Nuts	(2) 3/8" Carriage Bolt – 3 ½"	(5) 3/8" Carriage Bolt – 4 ½"
(2) 3/8" Carriage Bolt – 2 3/4"	(2) Stabilizer Feet Pads	(2) Nylon Threaded Tube Ends
(5) – 5/16" Bolt – 3"	(5) 5/16" Nut	(3) 5/16" Flat Washers

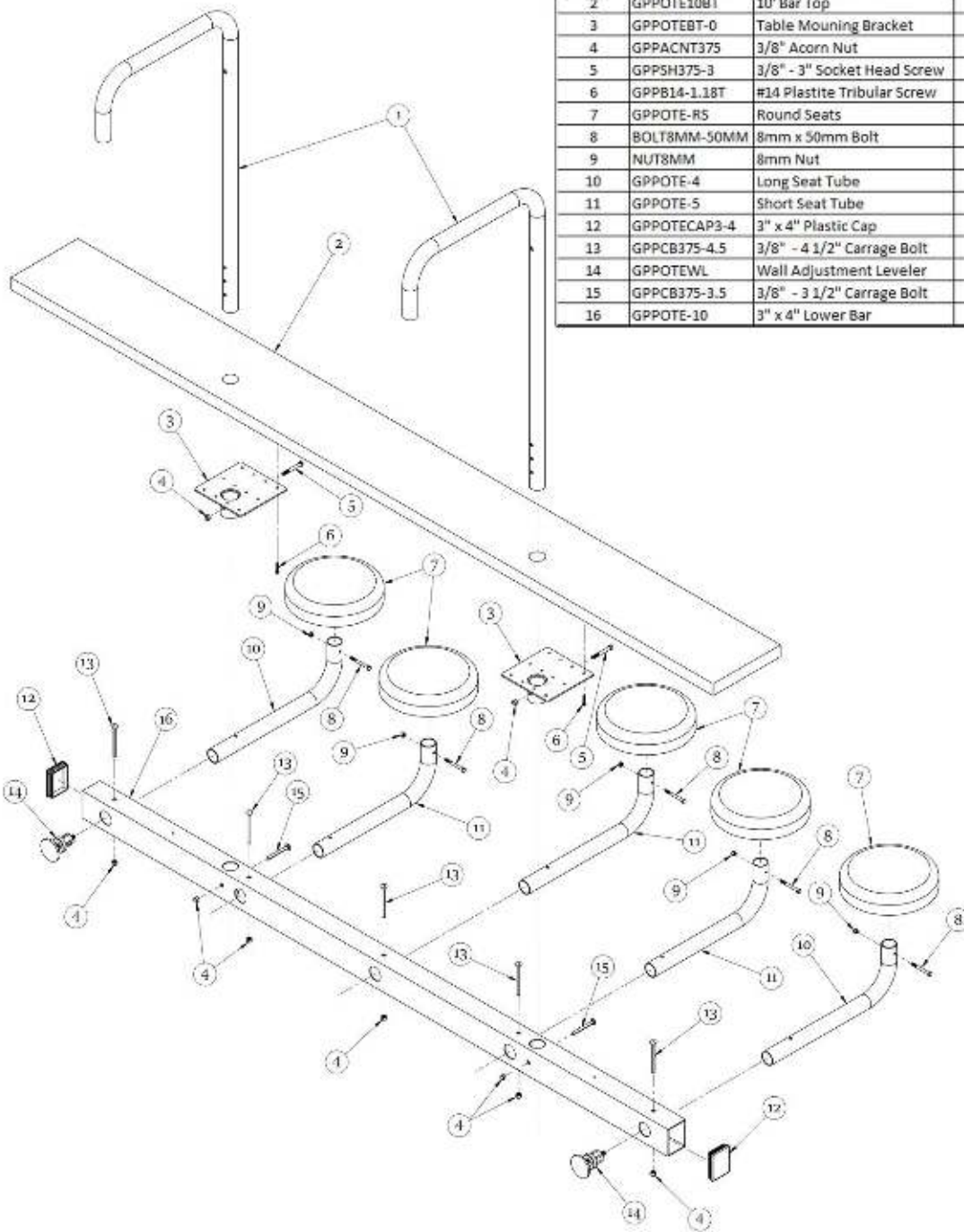
Assembly

1. Slide mounting rails through the table top holes until upper holes are lined up with the mounting bracket holes and attach with two 3/8" x 2 3/4" bolts and two 3/8" acorn nuts.
2. Slide the mounting rails through the 2" holes located on lower seat mounting manifold. (The lower seat manifold top is indicated by side without the ¼" drain holes)
3. Slide the lower seat manifold to desired height and attach with two 3/8" x 3 ½" carriage bolts and two 3/8" acorn nuts.
4. Insert the two longer seat tubes through the outer holes on the seat manifold bar and attach them with two 3/8" x 4 ½" carriage bolts and two 3/8" acorn nuts.
5. Insert the three short seat tubes into the three inner holes of the seat manifold bar and attach with three 3/8" x 4 ½" carriage bolts and one 3/8" acorn nut.
6. Attach the Seats to the seat tubes with five 5/16" x 2 ¼" bolts, three 5/16" flat washers and five 5/16" nuts.
7. Insert the two nylon threaded tube ends into the outer two seat tubes and screw in the *stabilizer feet.

**Thread the stabilizer feet to their lowest point so when product is installed the stabilizers can be threaded out to touch your pool wall. This will also prevent and outward bending of your mounting rails. *The installer will need to ensure stabilizer feet are against a structurally sound wall and Global Pool Products are not responsible for damaged pool walls and or pool liners.*

"Global Pool Products is committed to engineering and manufacturing world class products in the pool industry"

Callout	Part Number	Description	QTY.
1	GPPOTE-11	Anchor Mounting Tube	2
2	GPPOTE10BT	10' Bar Top	1
3	GPPOTEBT-0	Table Mouning Bracket	2
4	GPPACNT375	3/8" Acorn Nut	9
5	GPPSH375-3	3/8" - 3" Socket Head Screw	2
6	GPPB14-1.18T	#14 Plastite Tribular Screw	12
7	GPPOTE-R5	Round Seats	5
8	BOLT8MM-50MM	8mm x 50mm Bolt	5
9	NUT8MM	8mm Nut	5
10	GPPOTE-4	Long Seat Tube	2
11	GPPOTE-5	Short Seat Tube	3
12	GPPOTECAP3-4	3" x 4" Plastic Cap	2
13	GPPCB375-4.5	3/8" - 4 1/2" Carrage Bolt	5
14	GPPOTEWL	Wall Adjustment Leveler	2
15	GPPCB375-3.5	3/8" - 3 1/2" Carrage Bolt	2
16	GPPOTE-10	3" x 4" Lower Bar	1





"Global Pool Products is committed to engineering and manufacturing world class products in the pool industry"

5-Seat Swim Up Bar Installation Instructions

Retrofitting to Existing Pool Deck

1. Measure 17 ½" from pool's edge in desired location and 52 ¾" (center to center) apart from each other and mark on your pool deck. (This will be your center point for drilling your anchor holes)
2. Core drill a hole with a minimum diameter of 4" and to the depth where the anchor sits slightly below the pool deck.
3. Clean any debris from the hole before setting your anchor cup so it sits level. A shop vacuum may be needed to clear any hard to reach debris.
4. Place anchor cup in core drilled hole with the wedge bolt away from the water.
5. Check to ensure the drain hole is clear and nothing is blocking it to prevent water pooling in cup and the chance of corrosion to set in.
6. Bond your anchor to existing rebar. ***See your local electrical codes before bonding.***
7. Use minimum 3,000 psi Quickrete, epoxy or compression cement for solidifying the placement of your anchor cups. See the manufacture's instruction for mixing and cure time. (Not included with Global Pool Product products)
8. Install your 5-Seat Swim Up Bar into anchors.
9. Adjust the two *stabilizer feet into the outer two seat tubes.

**Thread the stabilizer feet to their lowest point so when the product is installed the stabilizers can be threaded out to touch your pool wall. This will also prevent and outward bending of your mounting rails.*

**The installer will need to ensure stabilizer feet are against a structurally sound wall and Global Pool Products are not responsible for damaged pool walls and or pool liners.*

New Construction

1. Assemble Anchors to the new construction trough with a 52 ¾" distance between the anchors' centers. Ensure wedge bolts of both anchors are on the same side.
2. Place anchor assembly 17 ½" away from pool's edge with wedge bolts facing away from the water's edge.
3. Secure anchor tray with attached anchors with stakes to keep anchors from shifting while pouring pool deck.
4. Install your 5-Seat Swim Up Bar into the anchors.



“Global Pool Products is committed to engineering and manufacturing world class products in the pool industry”

Global Pool Products Warranty

All Global Pool Products Swim Up Bars have a 3 Year **Limited Warranty** on all components, not including the fasteners, to the original retail end user only products manufactured by Global Pool Products, when properly installed in accordance to the assembly and installation instructions, and when the equipment is properly *used and maintained, to be free from material defects and workmanship. All fasteners carry a 90 day warranty from material defects and workmanship from the date of purchase. Global Pool Products is not liable for any damages to the pool liner or wall from use of these products.*

*This warranty does not cover damages to **ANY** of our products due to accident, abuse, negligence, misuse, damage by improper use of chemicals, fading, ice damage, fire, rust to fasteners, exceeding the weight capacity for model purchased, failure to install or to assemble the product in accordance with the installation and assembly instructions, normal wear and tear from day to day use, not maintained properly.*

THE WARRANTIES ARE IN LIEU OF ALL OTHER WARRANTIES, EXPRESSED OR IMPLIED, WHICH ARE HEREBY DISCLAIMED AND EXCLUDED, INCLUDING WITHOUT LIMITATION ANY WARRANTY OF MERCHANTABILITY OR FITNESS FOR A PARTICULAR PURPOSE OR USE.

IN NO EVENT SHALL GLOBAL POOL PRODUCTS BE LIABLE FOR ANY INCIDENTAL, CONSEQUENTIAL, INDIRECT, SPECIAL EXEMPLARY OR PUNITIVE DAMAGES OR LOST PROFITS FROM ANY BREACH OF THIS LIMITED WARRANTY. THE SOLE AND EXCLUSIVE REMEDY OF THIS WARRANTY IN REGARDS TO GLOBAL POOL PRODUCTS PRODUCT SHALL BE LIMITED TO REPLACEMENT OR REPAIR AT A GLOBAL POOL PRODUCTS FACILITY OR A DULY APPOINTED DISTRIBUTOR'S LOCATION OR AT A GLOBAL POOL PRODUCTS DESIGNATED LOCATION. IN NO EVENT SHALL GLOBAL POOL PRODUCTS LIABILITY EXCEED THE ENTIRE AMOUNT PAID TO GLOBAL POOL PRODUCTS BY THE ORIGINAL PURCHASER IN REGARDS TO THE DEFECTIVE OR FAILED PRODUCT.