



"Global Pool Products is committed to engineering and manufacturing world class products in the pool industry"

RIP TIDE OWNER'S GUIDE



www.global-poolproducts.com



“Global Pool Products is committed to engineering and manufacturing world class products in the pool industry”

RIP TIDE SLIDE

TABLE OF CONTENTS

Slide Warning	PAGE - 3
Pool Slide Safety Guidelines	PAGE - 4
Post Installation Checklist	PAGE - 5
Daily/Weekly Maintenance	PAGE - 5
Assembly & Installation	PAGE - 5
Rip Tide Slide Placement/Stub-Up	PAGE – 6
Cleaning Instructions	PAGE – 7
Slide Warranty	Page – 8-10
Warranty Registration	PAGE - 11

Global Pool Products
1330 Pigeon Rd
Bad Axe, MI 48413
P: 989-269-5900 - TF: 866-712-0606
Fax: 989-269-5902
www.global-poolproducts.com

Information contained in this document is proprietary and confidential to Global Pool Products and not to be reproduced without written consent from Global Pool Products.



"Global Pool Products is committed to engineering and manufacturing world class products in the pool industry"



SLIDING HEAD FIRST IS STRONGLY DISCOURAGED AND HIGHLY DANGEROUS



Traumatic Brain Injury and/or spinal injuries can commonly result from sliding head first down a slide into shallow areas of pools. These injuries could have long-term effects or even permanent damage. It is vital to slide down with the slider in a seated position, facing forward with feet first.

Safety Compliance

Global Pool Product slides are 3rd Party Tested & Verified by St. Louis Testing Laboratories. Global Pool Product slides fully conform to the U.S. Consumer Product & Safety Commission Safety Standards for swimming pool slides (16 CFR Part 1207).



"Global Pool Products is committed to engineering and manufacturing world class products in the pool industry"

POOL SLIDE SAFETY GUIDELINES

- ❖ *ADULT SUPERVISION IS ALWAYS REQUIRED WHEN CHILDREN ARE PLAYING*
- ❖ *ADHERE TO FOLLOWING THE SAFETY GUIDELINES*
- ❖ *EDUCATE ALL SLIDE RIDERS ON THE IMPORTANCE OF FOLLOWING THE SAFETY GUIDELINES USING THE SLIDE.*

THE RIP TIDE SLIDE is designed for in ground residential swimming pools ONLY. The RIP TIDE SLIDE must be properly assembled, installed, used, and supervised for proper use and operation to reduce the risk of serious injury and/or death.

- Position yourself properly before starting your slide ride. Slide in a seated position, forward facing, feet forward. **REMEMBER: DO NOT GO HEAD FIRST DOWN A SLIDE.**
- If you do not know how to swim, do not use the slide until you learn how to avoid drowning.
- No jumping or diving from any part of the slide.
- No horseplay or shenanigans on the slide.
- One person at a time on the slide; maximum weight allowance for the slide rider is 275 lbs.
- Make sure you know how deep the water is prior to sliding.
- Look to make sure no one is swimming at the bottom of the slide before descent. Avoid collisions with other objects or swimmers and do not start sliding until the exit area of the slide is clear.
- Do not slide if under the influence of drugs or alcohol.
- Individuals with physical disabilities should be cautious and may require help using the slide.
- If you are pregnant, do not use the slide.
- If you have any medical conditions that could inhibit your reaction time, please consult your physician before using the slide.
- When going up the ladder, hold onto the molded hand rails the entire time you are ascending.
- DO NOT GO ON THE SLIDE if it is deteriorated or fractured. Block the ladder access and have the slide repaired.



“Global Pool Products is committed to engineering and manufacturing world class products in the pool industry”

POST INSTALLATION CHECKLIST FOR RIP TIDE SLIDE

Installer to review with slide owner upon completion of slide installation.

Examine:

- The flume for any apparent cracks or gashes.
- The ladder for sharp borders, snags, cracks, or gashes.
- All fasteners to make sure none are loose.
- The ladder for stability and connection to the flume.

- ✓ Pool water depth at the base of the slide should be at least 3' (914 mm) deep.
- ✓ The height of the slide flume exit above the water should be 20" (508 mm) maximum.
- ✓ The distance between the slide centerline and the edge of other pool equipment should be at least 3'6" (1067 mm).

DAILY/WEEKLY MAINTENANCE OF THE RIP TIDE

- A. Spray your Rip Tide Slide down with water to wash away build up.
- B. Be sure that all connection points are tight. If not, tighten anchors as necessary.
- C. All polyethylene parts require little maintenance. Hose and wipe to clean.

Examine:

- The flume for any apparent cracks or gashes.
- All fasteners to make sure none are loose.
- The ladder and inner flume for sharp borders, snags, cracks, or gashes.

APPLICABLE STANDARDS AND CODES

The Rip Tide must be installed following your local building codes and national building codes.

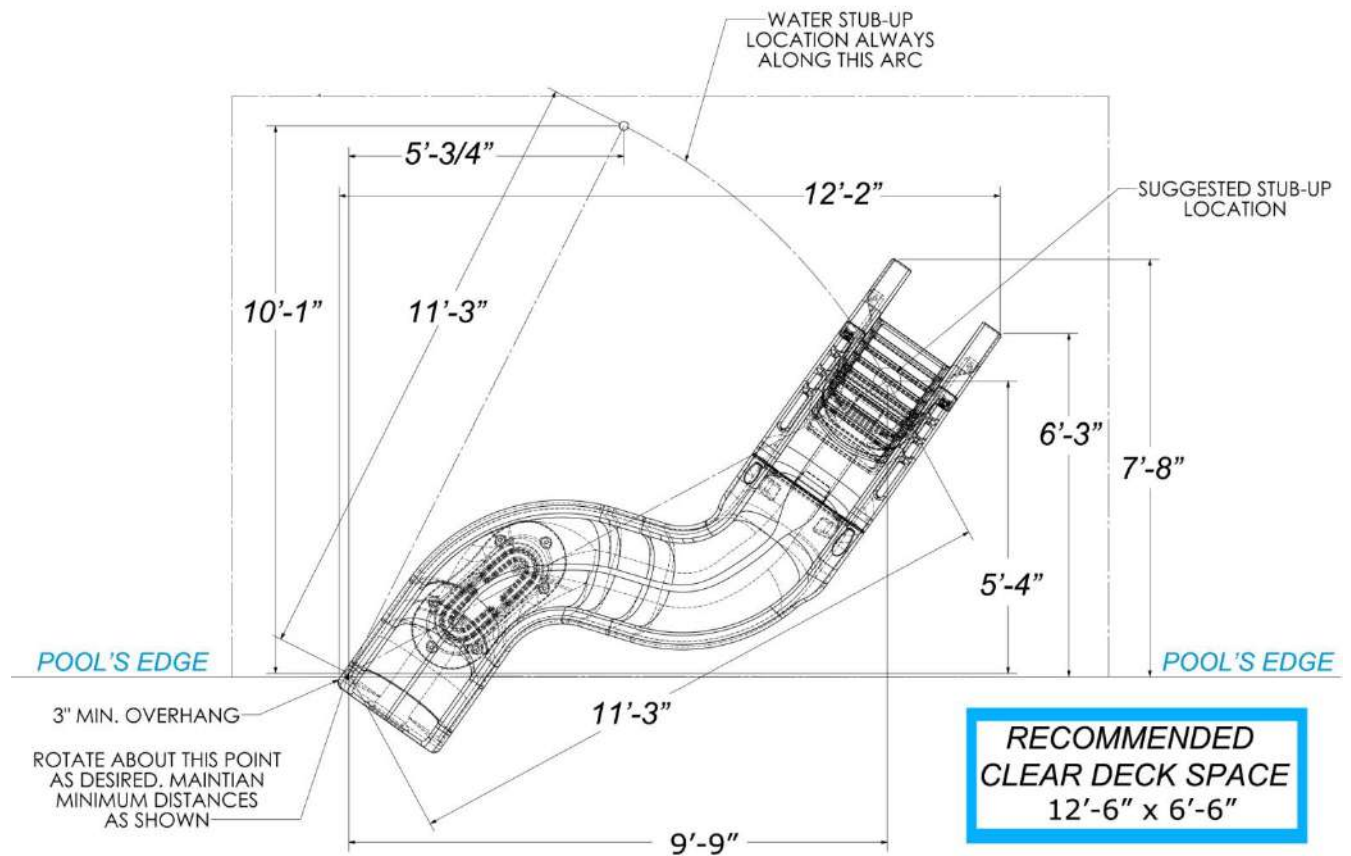
ASSEMBLY AND INSTALLATION

Rip Tide Slides are inspected prior to shipment from the factory. The installer will need to make sure that the concrete pad meets requirements before taking any steps to install the slide. Global Pool Product's warranty will be voided if the Rip Tide is not installed and constructed per the installation & assembly guide.



"Global Pool Products is committed to engineering and manufacturing world class products in the pool industry"

Rip Tide Slide Placement/Stub-up Location



Global Pool Products
 1330 Pigeon Rd
 Bad Axe, MI 48413
 P: 989-269-5900 - TF: 866-712-0606
 Fax: 989-269-5902
www.global-poolproducts.com

Information contained in this document is proprietary and confidential to Global Pool Products and not to be reproduced without written consent from Global Pool Products.



“Global Pool Products is committed to engineering and manufacturing world class products in the pool industry”

CLEANING INSTRUCTIONS

Use nonabrasive soap and water as often as possible.

The Rip Tide is a polyethylene surface. Before using any cleaner, always review the label instructions to make sure that it is safe to be used. We strongly suggest that a test spot is used before using a cleaner on a large area of the slide. This will deter any chances of damage or discoloration to the slide.

Keep clear of any abrasive or harsh cleaners, chemicals and/or disinfectants that could damage the slide.



“Global Pool Products is committed to engineering and manufacturing world class products in the pool industry”

Global Pool Products Slide Warranty

All Global Pool Products slides have a 3 Year **Limited Warranty** on the slide components (not including the fasteners) to the original retail end user only products manufactured by Global Pool Products, when properly installed in accordance to the assembly and installation instructions, and when the equipment is properly *used and maintained, to be free from material defects and workmanship as stated below:*

- Warranty starts from date of original purchase
- Slide structure has a 3 year warranty against material defects and workmanship

*This warranty does not cover damages to **ANY** of our slides due to: accident, abuse, negligence, misuse, damage by improper use of chemicals, fading, ice damage, fire, rust to fasteners, exceeding the weight capacity for model purchased, failure to install or to assemble the product in accordance with the installation and assembly instructions, normal wear and tear from day to day use, not maintained properly, or if unit is altered or repaired without written approval of Global Pool Products – All Warranties are Void.*

To commence the warranty claim process of a Global Pool Products product, in writing provide place of purchase along with the product name and description, date of installation and a detailed description of the defect, along with a photo of the entire product and claimed defect to the dealer or distributor the Global Pool Products slide was purchased from. Prior to a 30 day period after receiving the written warranty claim from the dealer or distributor by Global Pool Products and barring any unforeseen delays, the claimant will be notified of Global Pool Products decision regarding the claim.

If the request is made by Global Pool Products for the product to be returned to its factory or dealer/distributor of choice for inspection and/or repair, purchaser will be liable for “Freight Prepaid”. Global Pool Products (at its option) will replace or repair the defective item and deliver the repaired product or replacement to the buyer of the product to the destination on file in regards to the original order. Parts and Products returned for replacement to Global Pool Products shall remain the property of Global Pool Products under this limited warranty.

A new warranty period shall not be established for any repaired or replaced products. Replaced or repaired products will remain under warranty only for the remainder of the original warranty period for the original product purchased. No person or organization is authorized to make any other specific or implied warranties on behalf of Global Pool Products.



“Global Pool Products is committed to engineering and manufacturing world class products in the pool industry”

THE WARRANTIES ARE IN LIEU OF ALL OTHER WARRANTIES, EXPRESSED OR IMPLIED, WHICH ARE HEREBY DISCLAIMED AND EXCLUDED, INCLUDING WITHOUT LIMITATION ANY WARRANTY OF MERCHANTABILITY OR FITNESS FOR A PARTICULAR PURPOSE OR USE.

IN NO EVENT SHALL GLOBAL POOL PRODUCTS BE LIABLE FOR ANY INCIDENTAL, CONSEQUENTIAL, INDIRECT, SPECIAL EXEMPLARY OR PUNITIVE DAMAGES OR LOST PROFITS FROM ANY BREACH OF THIS LIMITED WARRANTY. THE SOLE AND EXCLUSIVE REMEDY OF THIS WARRANTY IN REGARDS TO GLOBAL POOL PRODUCTS PRODUCT SHALL BE LIMITED TO REPLACEMENT OR REPAIR AT A GLOBAL POOL PRODUCTS FACILITY OR A DULY APPOINTED DISTRIBUTOR'S LOCATION OR AT A GLOBAL POOL PRODUCTS DESIGNATED LOCATION. IN NO EVENT SHALL GLOBAL POOL PRODUCTS LIABILITY EXCEED THE ENTIRE AMOUNT PAID TO GLOBAL POOL PRODUCTS BY THE ORIGINAL PURCHASER IN REGARDS TO THE DEFECTIVE OR FAILED PRODUCT.

NO REPRESENTATIVE OF GLOBAL POOL PRODUCTS SUCH AS AGENTS, DISTRIBUTORS AND DEALERS HAS THE AUTHORITY TO ALTER IN ANY FASHION THE TERMS OF THIS WARRANTY AND GLOBAL POOL PRODUCTS IS “NOT” RESPONSIBLE FOR REPRESENTATION, UNDERTAKING OR WARRANTY MADE BY ANY OTHER PERSON BEYOND THE WARRANTIES EXPRESSED SET FORTH IN THIS WARRANTY.

Warranty Procedure

Warranty Claims shall be submitted to Global Pool Products by the dealer or distributor which originated the sale with Global Pool Products.

All RGA (Return Goods Authorization) documents shall be requested by and issued only to the dealer or distributor which originated the sale.

Global Pool Products shall determine warranty coverage validation and replacement parts or repair shall be directed to the dealer or distributor which originated the sale. Pictures may be requested to validate claim.

Warranty claims received from end users by Global Pool Products shall be re-directed to the dealer or distributor which originated the sale with Global Pool Products.



"Global Pool Products is committed to engineering and manufacturing world class products in the pool industry"

Page Intentionally Left Blank



"Global Pool Products is committed to engineering and manufacturing world class products in the pool industry"

**GLOBAL POOL PRODUCTS
WARRANTY REGISTRATION
PURCHASED BY:**

Name: _____
City: _____ State: _____ Zip: _____
Phone: (____) _____

DEALER:

Name: _____ Phone Number _____
City: _____ State: _____ Zip: _____
Phone: (____) _____
Model: _____ Serial Number: _____
Color: _____ Purchase Price: \$ _____ Date Purchased: _____

INSTALLER:

Name: _____ Phone Number _____
City: _____ State: _____ Zip: _____
Phone: (____) _____
Model: _____ Serial Number: _____
Date Installed & Assembled: _____

I have read and accept the warranty terms.

Signature: _____ Date: _____

This card must be completed and returned to Global Pool Products within 30 days of purchase date to assure coverage.

Please mail to:

**Global Pool Products
1330 Pigeon Rd
Bad Axe, MI 48413**

Or

Complete, scan and email to: warranty@globalpoolprod.com