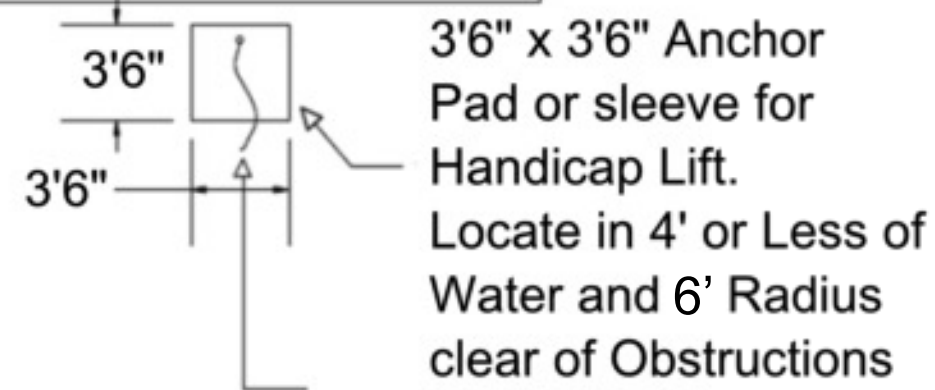
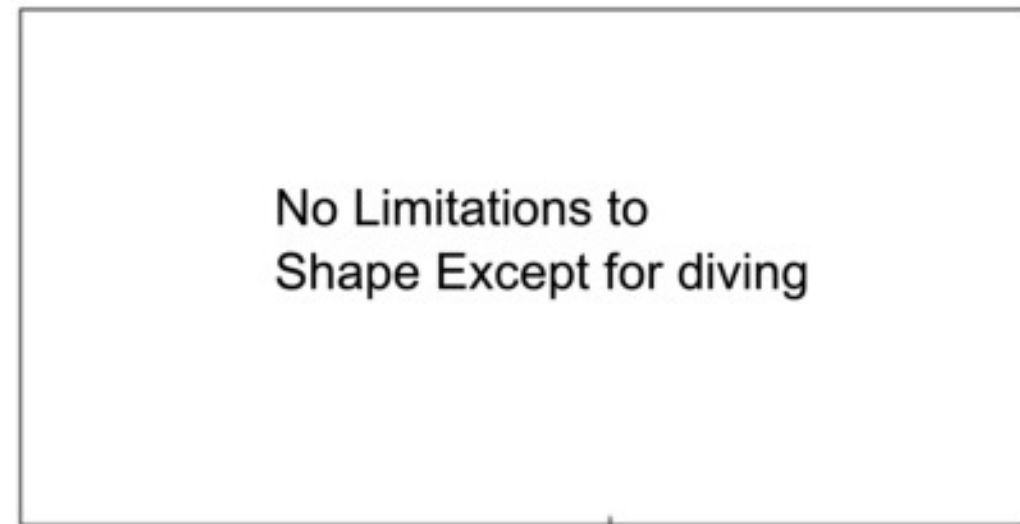


Note: Concrete Pad to be Poured for Paver Decks
Concrete Decks to be Cored Only.

SECTION FOR LIFT ANCHOR



Typical Gr. for #3 Rebar, 2' Out with #8 Cu to Pump

GENERAL POOL PLAN

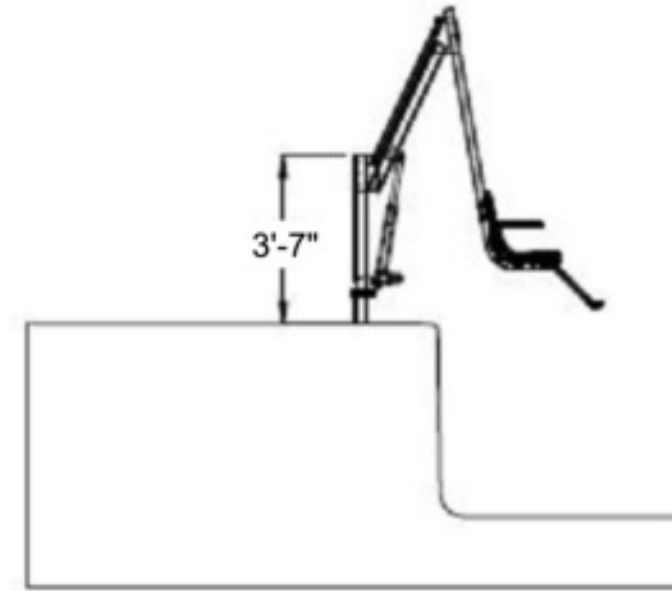
General Design Requirements

DESIGN, CONSTRUCTION AND WORKMANSHIP SHALL BE IN COMFORMITY WITH THE REQUIREMENTS OF ANSI/NSPI 3, ANSI/NSPI 4, ANSI/NSPI 5, ANSI/NSPI 6 AND ANSI/NSPI 7 BASED ON THE POOL TYPE

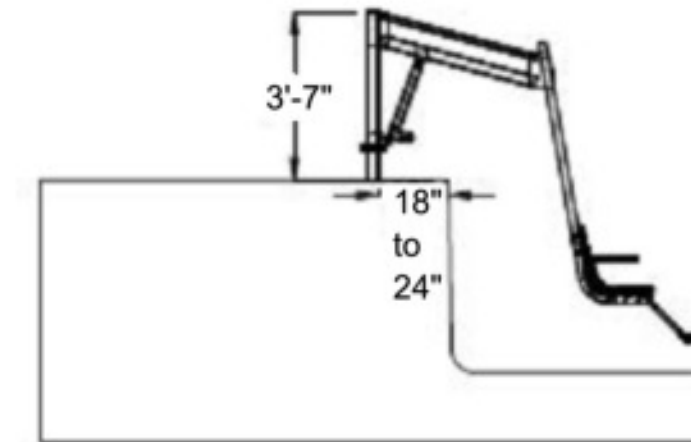
Electrical Requirements

WIRING AND BONDING AND ALL ELECTRICAL TO COMPLY WITH CHAPTER 27, FLORIDA BUILDING CODE 2010 AND NEC 2008.

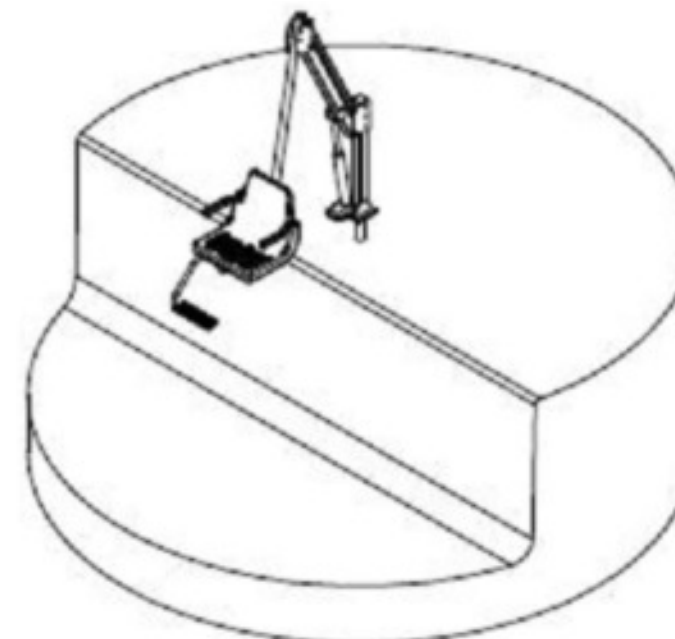
NO OUTLET OR OVERHEAD POWER WITHIN 10'. IF WITHIN 15' PROTECT BY GFI. TRANSFORMER MIN. 10' FROM POOL, 8" ABOVE WATER, J BOX 4' FROM POOL, BRASS TO J BOX OR TRANSFORMER WHICH EVER IS FIRST EXCEPT WHERE PVC IS APPROVED



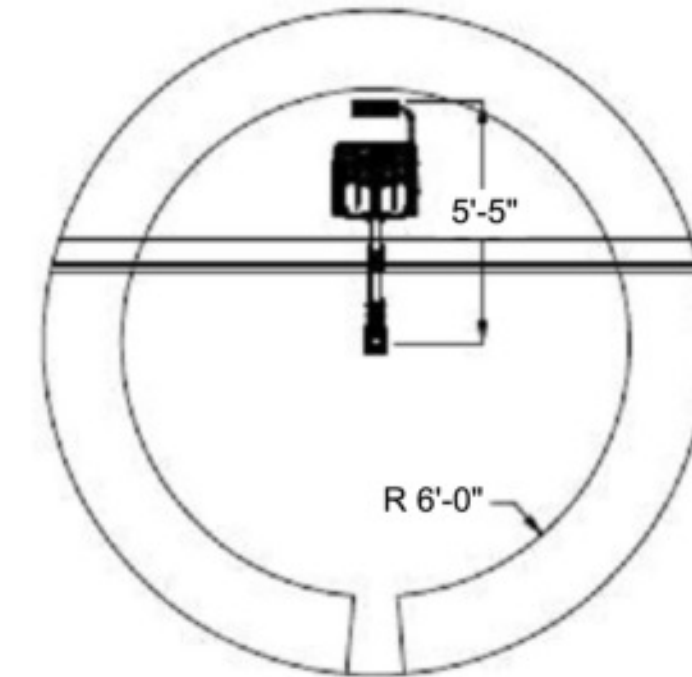
Side View (Up)
NTS



Side View (Down)
NTS



3D View
NTS



360 deg Rotation
Top View
NTS



First Issued 7/13/2012

Drawn By R. Chalou

Checked By

Approved By

Global Lift Corporation

684 N. Port Crescent, Suite C, Bad Axe, MI 48413

Title

ADA_#375-Model

Size
C

Drp No.

Sheet Rev
A

Scale 1:12

Sheet 1 of 1