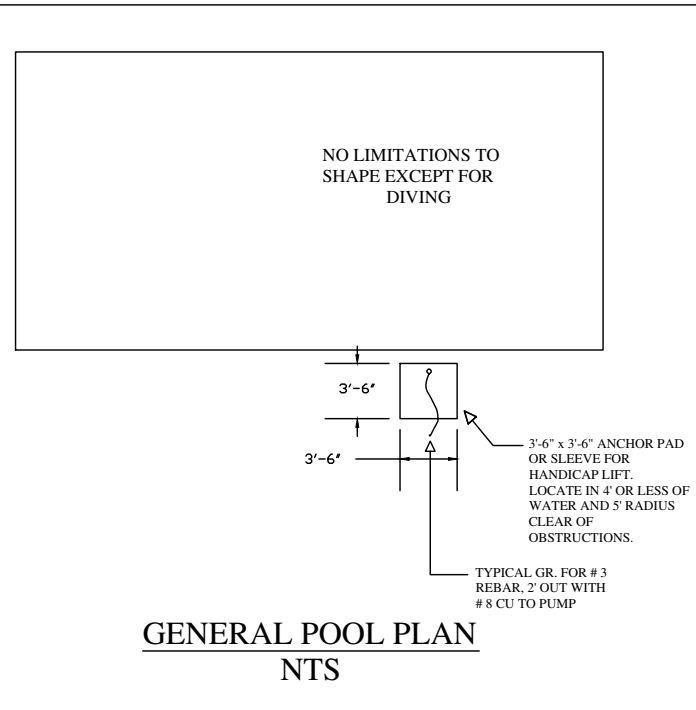
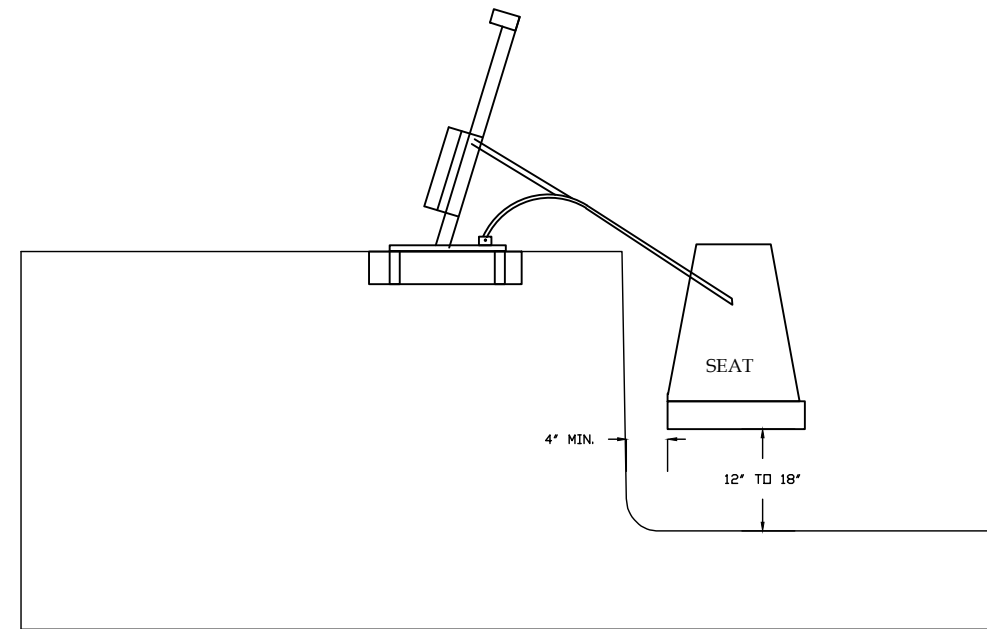


PROVIDE 5' CLEAR DECK SPACE AROUND ENTIRE APPARATUS



GENERAL DESIGN REQUIREMENTS

DESIGN, CONSTRUCTION AND WORKMANSHIP SHALL BE IN CONFORMITY WITH THE REQUIREMENTS OF ANSI/NSPI 3, ANSI/NSPI 4, ANSI/NSPI 5, AND ANSI/NSPI 6 AND ANSI/APSP 7 BASED ON THE POOL TYPE.

ELECTRICAL REQUIREMENTS:

- WIRING AND BONDING AND ALL ELECTRICAL TO COMPLY WITH CHAPTER 27, FLORIDA BUILDING CODE 2010 AND NEC 2008.
- NO OUTLET OR OVERHEAD POWER WITHIN 10' IF WITHIN 15' PROTECT BY GFI, TRANSFORMER MIN. 10' FROM POOL, 8" ABOVE WATER, J BOX 4' FROM POOL, BRASS TO J BOX OR TRANSFORMER WHICH EVER IS FIRST EXCEPT WHERE PVC IS APPROVED.

FLORIDA BUILDING CODE R4101

THE POOL CONTRACTOR IS RESPONSIBLE FOR FURNISHING ALL DETAIL DESIGN REQUIREMENTS FOR EACH INDIVIDUAL POOL IN ACCORDANCE WITH THE FLORIDA BUILDING CODE, AND ALL CONSTRUCTION SHALL MEET ALL APPLICABLE CODES INCLUDING PLUMBING, ELECTRICAL AND GAS.

IT HAS BEEN CERTIFIED THAT THESE DESIGN REQUIREMENTS ARE IN COMPLIANCE WITH THE FLORIDA BUILDING CODE R4101, 424.2-2010, ANSI/NSPI 3, ANSI/NSPI 4, ANSI/NSPI 5, ANSI/NSPI 6 AND ANSI/APSP 7 AND ADA REQUIREMENTS

G.B. Collins Engineering P.A.
Certificate of Authorization 27934

Shannon St. Titusville FL 32780
1208 Rogers Street Titusville, FL 32756
Phone: (321) 442-8863
Fax: (321) 442-6988
gb_collins@verizon.net

**Standard ADA
Lift Installation**